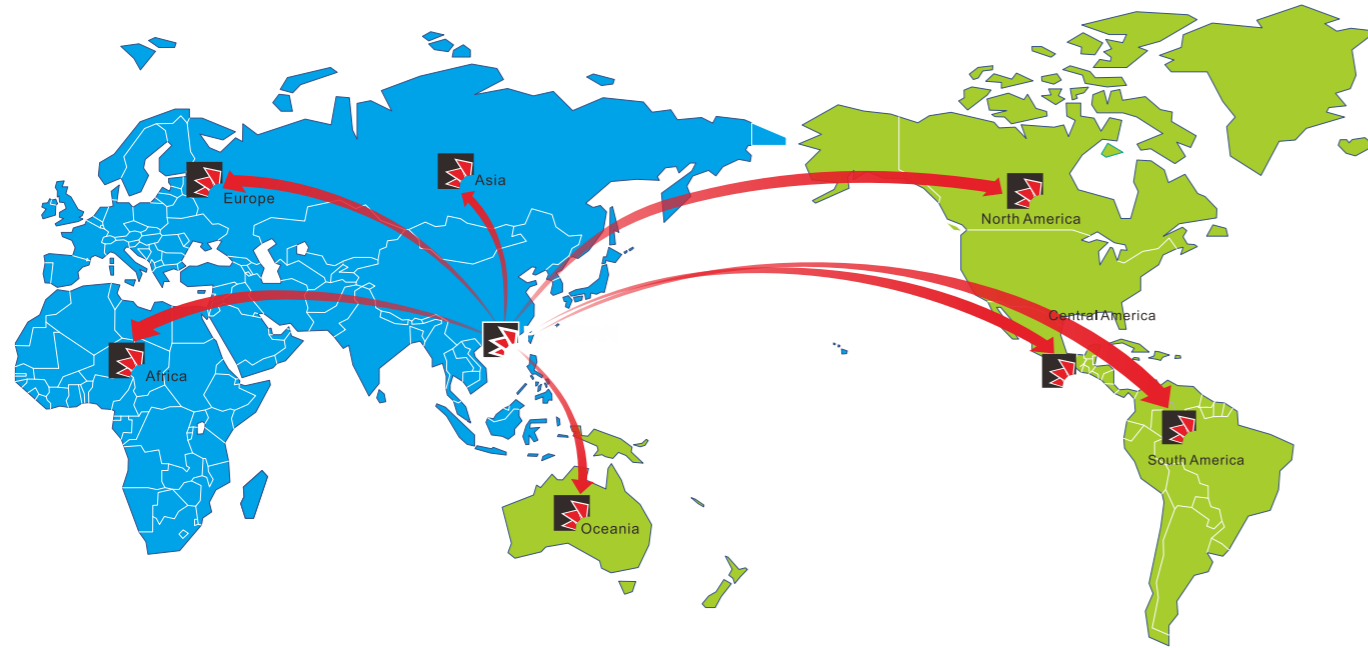


Service Network:

202302EV4.0



Powtran technology

A manufacturer of motor control intelligent products and devices based on motor design.

Contact

Dalian Powtran Technology Co., Ltd.

Address: No. 11 Renxian Street, Qixianling, Hitech Industrial Zone, Dalian, China (116023)

Tel: 0411-84820088 84821133

Fax: 0411-84821978 84821878

Email: info@powtran.com

Website: www.powtran.com

Dalian Powtran Technology Co., Ltd. Shenzhen Branch

Address: No. 75 Baomin 2nd Road, Xixiang Town, Baoan District, Shenzhen, China (518101)

Tel: 0086-755-29630738

Fax: 0086-755-29666485

Email: info@powtran.com

Website: www.powtran.com



Hotline: 086-755-29630738

Content changes due to continuous upgrade of our products are subject to change without notice. Copyright © Dalian Powtran Technology Co., Ltd.



PR5300/PR5200+ Series

High-quality Soft starter



www.powtran.com



Certification and Honor

Guarantee by authority

*Integrity, Consensus
Innovation, Sharing Development*

Company Introduction

Powtran Technology as a national high-tech enterprise, set up Wuxi, Guangzhou and more than 30 offices with the center of Shenzhen and Dalian cities and established a worldwide network of R & D, production, logistics and service. Composing the advanced technology from Japan Toshiba and Taiwan brand, Powtran provides a series of energy saving and automatic & drive control products. such as frequency inverters(including special power supply), soft starters, AC servo drive system, energy saver, vehicle motor drive system. Powtran products are verified by international authoritative organizations and now export to more than 100 countries.

Company History

2021: POWTRAN was once again recognized as a national high-tech enterprise; once again obtained the German TUV factory-examining certification; won the "CMCD2021 Most Investment Value Award in Motion Control Field"

2020 1st shot of the year: one-million-order from overseas sales department for photovoltaic projects; the orders of control cabinets for chemical projects were successfully delivered within a month; meet customers worldwide in the online Canton Fair in Spring and Autumn ; Won the CAIMRS2020 "Industry Pioneer Award" and the "China Electric Energy Conservation 30 Years Outstanding Contribution Enterprise"

2019 Passed the external audit of ISO9001: 2015 quality system certification; participated in the Hannover Messe in Germany for 14 consecutive times; PI150 series of compact frequency inverter obtained the CE certificate and appearance patent, and fully introduced to the market.

2016: Won the "2015 ~ 2016 annual inverter innovation award"; as the vice chairman of the China Electrical Equipment Industry Association -inverter branch for three consecutive years , and won the advanced member during 2012-2016.

2015: PI500 series of high-performance vector inverter was launched; won the award "the most influential brand in three decades".

2014: TUV factory-examining certification company .The standards that Powtran took part in drafting already implemented.

2012: Continuous 6 years of holding the "low voltage converter top ten domestic brand".

2011: Provincial electric drive engineering research center.

2009: National Top-new technical enterprise.

2004: ISO9001 Quality Certificate.

Certifications



Intelligent on-line motor soft starter | PR5300 Series

Product positioning

PR5300 series soft starter is a new generation on-line motor soft starter device. With the state-of-art motor intelligent control technology and motor protection technology, it provides rich parameters and meet different load requirements with variety of starting modes, and the protection function is more perfect. The forced air cooling system ensures the reliable operation of the motor; the built-in RS485 communication module supports remote communication, and multi language humanized LCD keyboard makes it easy to monitor and operate. All these improve the system automation level. High power SCR online operation saves bypass contactor, and saves electrical cabinet space, as well as reduces the equipment investment and labor cost.



Professional design

Protection function

Timely protect both the motor and soft starter while starting, and protect the motor online in operation. Provide 16 protection function, no need to install any other protectors, which would help you reduce equipment investment cost.



Rich parameters setting, newly updated

Newly add current and voltage coefficient setting, which helps to display values of voltage and current directly. Newly increased interval delay parameter, to avoid motors damage caused by frequent start.

Pluggable second terminal, make the wiring and maintenance easier for users.



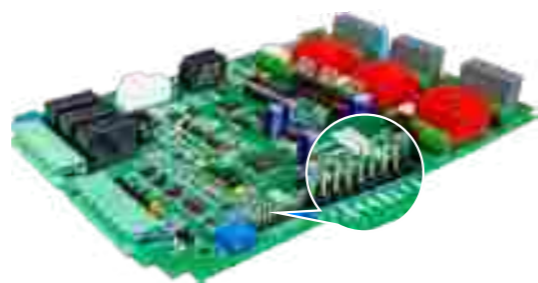
Multinational language humanized keyboard display

Available multinational language display to show the parameters and status of the product, which make it easy for users to operate, debug and maintenance. Customized display interface is available according to the special need of customers. External keyboard can be equipped outside to facilitate the use of the cabinet.

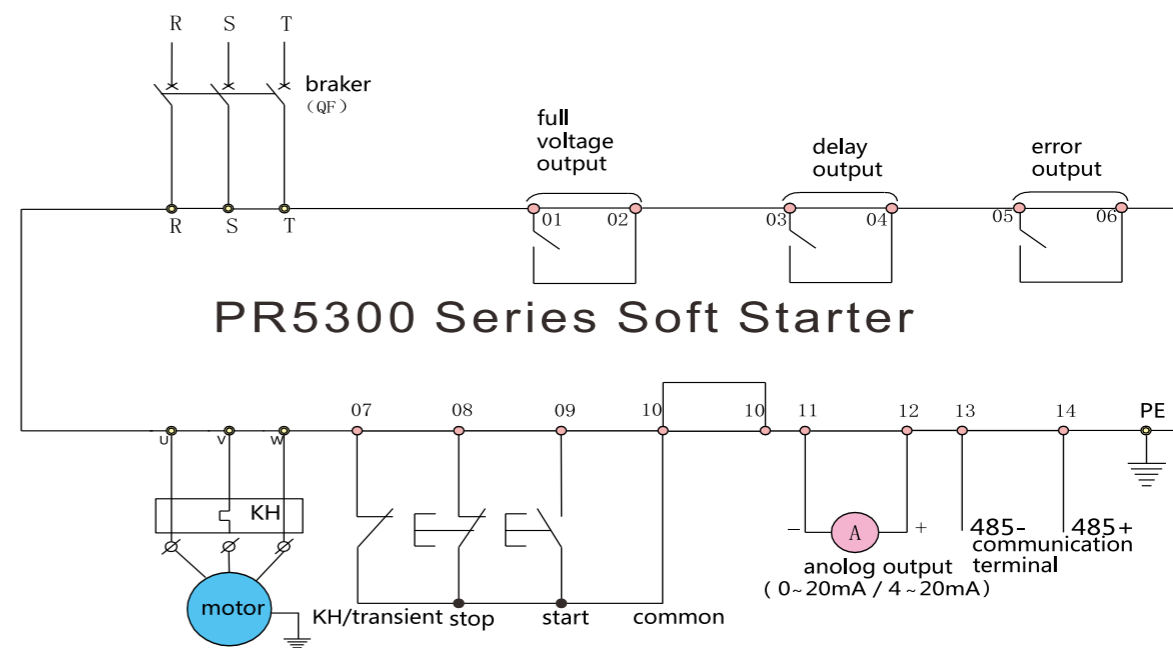


Communication function

Built-in RS485 communication module, to realize the combined network communication. Convenient for remote debug and control to users.



Wiring diagram



* After running of the soft starter, it can choose SCR work online, do not need to add the bypass contactor, greatly reduce the user's cost.

Working conditions

Mains power supply : self-provided power plant, diesel generating sets three-phase ac 380V±10%, 50hz or 60hz, the power supply capacity must meet with the requirements of soft starter on motor starting.

For motor: squirrel-cage three-phase asynchronous motor, the motor rated power should be matched with soft starter rated power.

Starting frequency : there is no requirement, depending on the load.

Cooling: forced air cooling

Protection degree: IP20

Environmental conditions: when select on-line operation, it won't reduce capacity when under 1000m altitude, each additional 100m will reduce 0.5% capacity according to the rated current.

Ambient temperature: storage, -25°C to 70°C; Run, up to 60°C; 0~40°C won't reduce the capacity, when rising above 40°C, each degree rise in temperature will reduce 2% capacity according to the rated current.

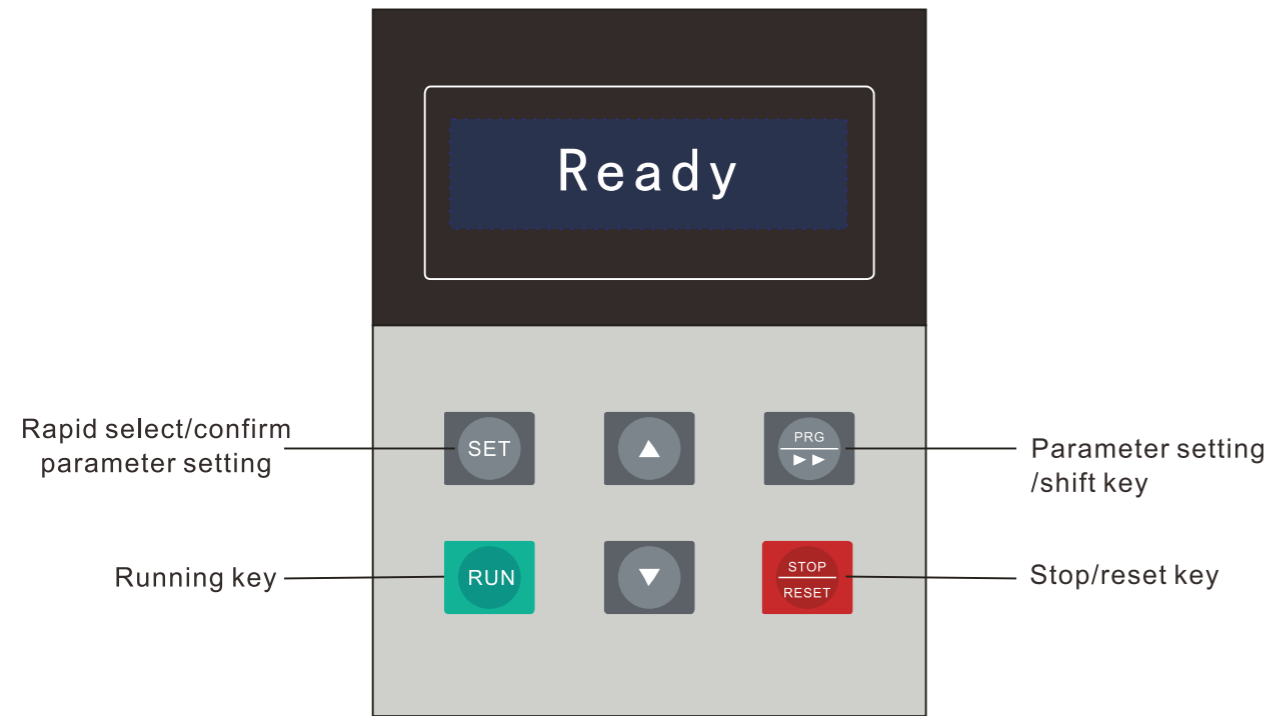
★ Note: we can provide users with products which used under special conditions, such as explosion-proof soft starter, cryogenic soft starter, high voltage soft starter, etc. And the use condition is explained separately.

Application industry



Application: ball mill, blower, centrifugal pump, piston compressor, hoister, agitator, crusher, screw compressor, conveyor, heat pump.

Keyboard instruction



JP3E5300L keyboard

PR5300series soft starter has total 5 working conditions: respectively ready/running/trouble/start and stop.
Keyboard display: Double LED(Chinese and English)

Nameplate instruction

POWTRAN

Soft starter model → MODEL: PR5300 115G3

Output power spec → POWER: 115kW

Input source spec → INPUT: AC 3PH 380V ±10% 50Hz/60Hz

Output spec → OUTPUT: AC 3PH 0-380V 230A 50Hz/60Hz

Bar Code →

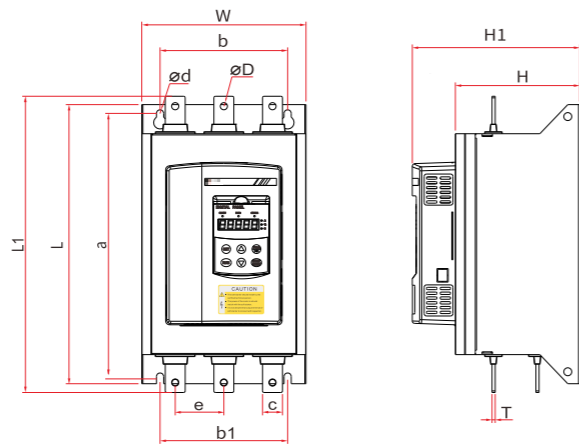
Production sequence number → ZPB1A0100001

Production address → DALIAN POWTRAN TECHNOLOGY CO.,LTD.

PR5300 a 115G 3 □

- Powtran soft starter
- Series code
- Class code:
 - 0:standard configuration
 - 1:special 1 configuration
 - 2:special 2 configuration
- Type code:
 - a:General(omit)
 - c:Integrative machine
- Output configuration
 - 0:General configuration(omit)
- Input Voltage Level:
 - 2:Three-phase 220V-240V
 - 3:Three-phase 380V-415V
 - 4:Three-phase440V-460V
 - 6:Three-phase660V-690V
- Function code
 - G:General
- Rated Power:
 - Example:5R5: 5.5kW
 - 115:115kW

Installation size



Base No.: F01 F02

G2 series

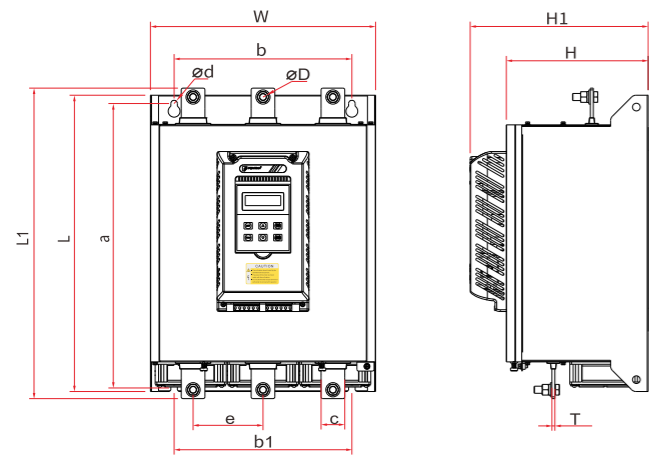
Model	Rated Power (kW)	Rated current (A)	Dimension (mm)					Installation (mm)					Copper bar (mm)			N.W. (kg)	Base No.
			L1	L	W	H1	H	a	b	b1	d	e	C	D	T		
PR5300 7R5G2	7.5	30	353.5	344	156	242.5	188.5	324	125	125	9	41	15	8	3	< 7.8	F01
PR5300 011G2	11	45	353.5	344	156	242.5	188.5	324	125	125	9	41	15	8	3	< 7.8	F01
PR5300 015G2	15	60	353.5	344	156	242.5	188.5	324	125	125	9	41	15	8	3	< 7.8	F01
PR5300 018G2	18.5	75	353.5	344	156	242.5	188.5	324	125	125	9	41	15	8	3	< 7.8	F01
PR5300 022G2	22	90	353.5	344	156	242.5	188.5	324	125	125	9	41	15	8	3	< 7.8	F01
PR5300 030G2	30	110	353.5	344	156	242.5	188.5	324	125	125	9	41	15	8	3	< 7.8	F01
PR5300 037G2	37	150	442	406	206	223	169	386	160	160	9	61	25	9	4	< 12.8	F02
PR5300 045G2	45	180	442	406	206	223	169	386	160	160	9	61	25	9	4	< 12.8	F02
PR5300 055G2	55	230	442	406	206	223	169	386	160	160	9	61	25	9	4	< 12.8	F02

G3 series

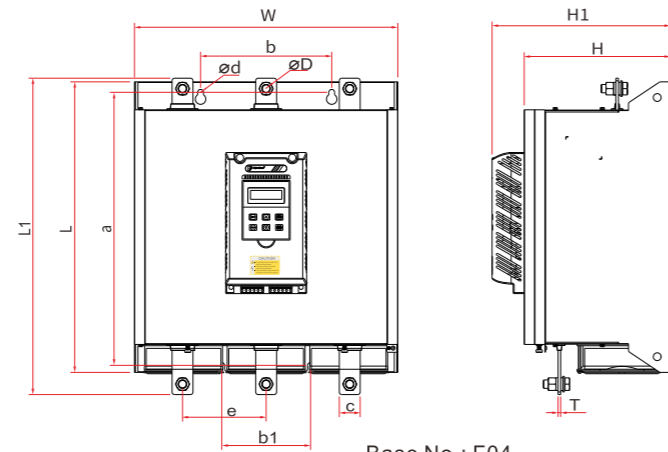
Model	Rated Power (kW)	Rated current (A)	Dimension (mm)					Installation (mm)					Copper bar (mm)			N.W. (kg)	Base No.
			L1	L	W	H1	H	a	b	b1	d	e	C	D	T		
PR5300 011G3	11	23	353.5	344	156	242.5	188.5	324	125	125	9	41	15	8	3	< 7.8	F01
PR5300 015G3	15	30	353.5	344	156	242.5	188.5	324	125	125	9	41	15	8	3	< 7.8	F01
PR5300 018G3	18.5	37	353.5	344	156	242.5	188.5	324	125	125	9	41	15	8	3	< 7.8	F01
PR5300 022G3	22	45	353.5	344	156	242.5	188.5	324	125	125	9	41	15	8	3	< 7.8	F01
PR5300 030G3	30	60	353.5	344	156	242.5	188.5	324	125	125	9	41	15	8	3	< 7.8	F01
PR5300 037G3	37	75	353.5	344	156	242.5	188.5	324	125	125	9	41	15	8	3	< 7.8	F01
PR5300 045G3	45	90	353.5	344	156	242.5	188.5	324	125	125	9	41	15	8	3	< 7.8	F01
PR5300 055G3	55	110	353.5	344	156	242.5	188.5	324	125	125	9	41	15	8	3	< 7.8	F01
PR5300 075G3	75	150	442	406	206	223	169	386	160	160	9	61	25	9	4	< 12.8	F02
PR5300 090G3	90	180	442	406	206	223	169	386	160	160	9	61	25	9	4	< 12.8	F02
PR5300 115G3	115	230	442	406	206	223	169	386	160	160	9	61	25	9	4	< 12.8	F02

G4 series

Model	Rated Power (kW)	Rated current (A)	Dimension (mm)					Installation (mm)					Copper bar (mm)			N.W. (kg)	Base No.
			L1	L	W	H1	H	a	b	b1	d	e	C	D	T		
PR5300 011G4	11	23	353.5	344	156	242.5	188.5	324	125	125	9	41	15	8	3	< 7.8	F01
PR5300 015G4	15	30	353.5	344	156	242.5	188.5	324	125	125	9	41	15	8	3	< 7.8	F01
PR5300 018G4	18.5	37	353.5	344	156	242.5	188.5	324	125	125	9	41	15	8	3	< 7.8	F01
PR5300 022G4	22	45	353.5	344	156	242.5	188.5	324	125	125	9	41	15	8	3	< 7.8	F01
PR5300 030G4	30	60	353.5	344	156	242.5	188.5	324	125	125	9	41	15	8	3	< 7.8	F01
PR5300 037G4	37	75	353.5	344	156	242.5	188.5	324	125	125	9	41	15	8	3	< 7.8	F01
PR5300 045G4	45	90	353.5	344	156	242.5	188.5	324	125	125	9	41	15	8	3	< 7.8	F01
PR5300 055G4	55	110	353.5	344	156	242.5	188.5	324	125	125	9	41	15	8	3	< 7.8	F01
PR5300 075G4	75	150	442	406	206	223	169	386	160	160	9	61	25	9	4	< 12.8	F02
PR5300 090G4	90	180	442	406	206	223	169	386	160	160	9	61	25	9	4	< 12.8	F02
PR5300 115G4	115	230	442	406	206	223	169	386	160	160	9	61	25	9	4	< 12.8	F02



Base No.: F03



Base No.: F04

G2 series

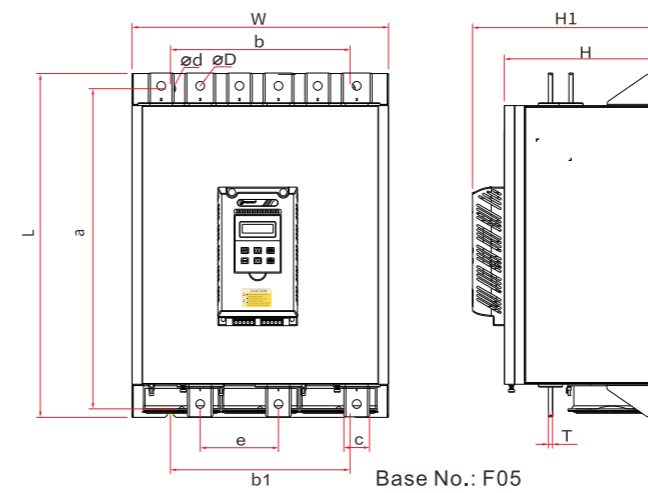
Model	Rated Power (kW)	Rated current (A)	Dimension (mm)					Installation (mm)					Copper bar (mm)			N.W. (kg)	Base No.
			L1	L	W	H1	H	a	b1	b	d	e	C	D	T		
PR5300 075G2	75	260	528	500	380	301	240	480	300	300	11	118	40	13	5	< 29	F03
PR5300 090G2	90	320	528	500	380	301	240	480	300	300	11	118	40	13	5	< 29	F03
PR5300 115G2	115	370	528	500	380	301	240	480	300	300	11	118	40	13	5	< 29	F03
PR5300 132G2	132	420	524	500	380	301	240	480	300	300	11	118	40	13	5	< 29	F03
PR5300 160G2	160	560	616	556	504	342	280	523	170	251	11	160	40	14	5	< 42	F04
PR5300 185G2	185	600	616	556	504	342	280	523	170	251	11	160	40	14	5	< 42	F04
PR5300 200G2	200	660	616	556	504	342	280	523	170	251	11	160	40	14	5	< 42	F04

G3 series

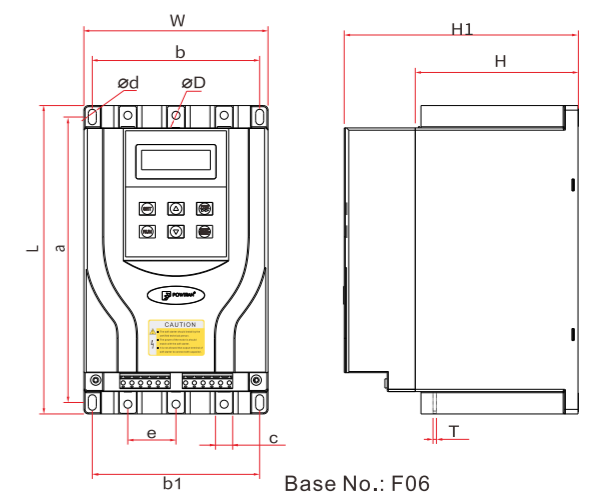
Model	Rated Power (kW)	Rated current (A)	Dimension (mm)					Installation (mm)					Copper bar (mm)			N.W. (kg)	Base No.
			L1	L	W	H1	H	a	b1	b	d	e	C	D	T		
PR5300 132G3	132	260	528	500	380	301	240	480	300	300	11	118	40	13	5	< 29	F03
PR5300 160G3	160	320	528	500	380	301	240	480	300	300	11	118	40	13	5	< 29	F03
PR5300 185G3	185	370	528	500	380	301	240	480	300	300	11	118	40	13	5	< 29	F03
PR5300 200G3	200	400	528	500	380	301	240	480	300	300	11	118	40	13	5	< 29	F03
PR5300 250G3	250	500	524	500	380	301	240	480	300	300	11	118	40	13	5	< 29	F03
PR5300 280G3	280	560	616	556	504	342	280	523	170	251	11	160	40	14	5	< 42	F04
PR5300 320G3	320	630	616	556	504	342	280	523	170	251	11	160	40	14	5	< 42	F04
PR5300 400G3	400	800	616	556	504	342	280	523	170	251	11	160	40	14	5	< 42	F04
PR5300 450G3	450	900	616	556	504	342	280	523	170	251	11	160	40	14	5	< 42	F04

G4 series

Model	Rated Power (kW)	Rated current (A)	Dimension (mm)					Installation (mm)					Copper bar (mm)			N.W. (kg)	Base No.
			L1	L	W	H1	H	a	b1	b	d	e	C	D	T		
PR5300 132G4	132	260	528	500	380	301	240	480	300	300	11	118	40	13	5	< 29	F03
PR5300 160G4	160	320	528	500	380	301	240	480	300	300	11	118	40	13	5	< 29	F03
PR5300 185G4	185	370	528	500	380	301	240	480	300	300	11	118	40	13	5	< 29	F03
PR5300 200G4	200	400	528	500	380	301	240	480	300	300	11	118	40	13	5	< 29	F03
PR5300 250G4	250	500	524	500	380	301	240	480	300	300	11	118	40	13	5	< 29	F03
PR5300 280G4	280	560	616	556	504	342	280	523	170	251	11	160	40	14	5	< 42	F04
PR5300 320G4	320	630	616	556	504	342	280	523	170	251	11	160	40	14	5	< 42	F04
PR5300 400G4	400	800	616	556	504	342	280	523	170	251	11	160	40	14	5	< 42	F04
PR5300 450G4	450	900	616	556	504	342	280	523	170	251	11	160	40	14	5	< 42	F04



Base No.: F05



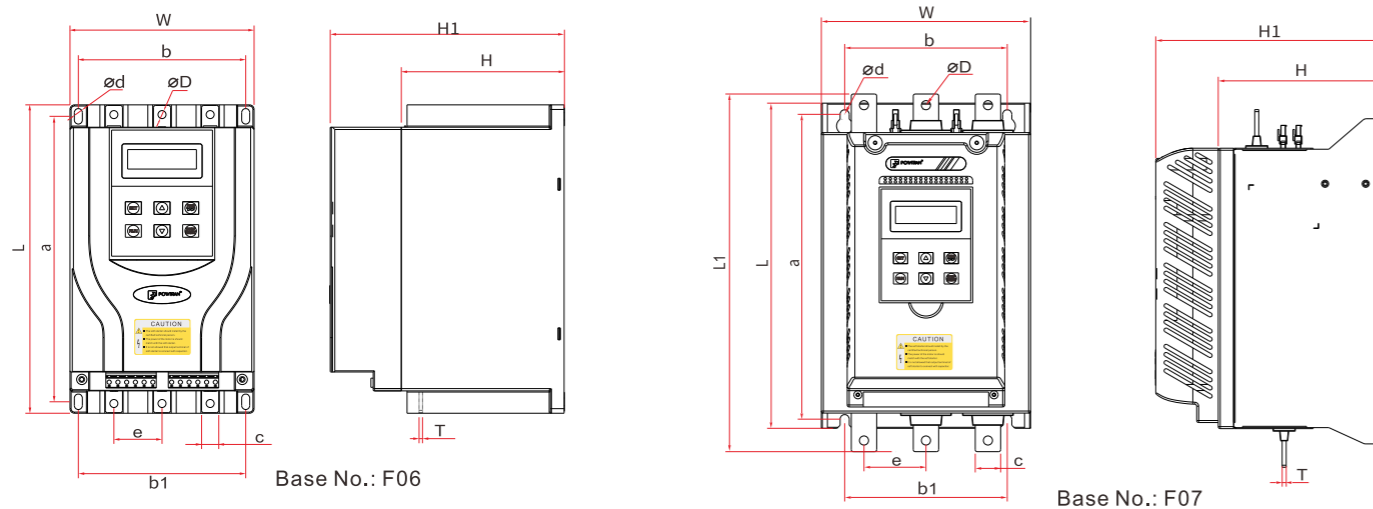
Base No.: F06

G3 series

Model	Rated Power (kW)	Rated current (A)	Dimension (mm)					Installation (mm)					Copper bar (mm)			N.W. (kg)	Base No.
			L1	L	W	H1	H	a	b1	b	d	e	C	D	T		
PR5300 500G3/G4	132	260	-	670	500	382	320	640	350	350	11	152.5	50	18	8	< 45	F05

G3N series

Model	Rated Power (kW)	Rated current (A)	Dimension (mm)					Installation (mm)					Copper bar (mm)			N.W. (kg)	Base No.
			L1	L	W	H1	H	a	b	b1	d	e	C	D	T		
PR5300 011G3N	11	23	-	269	161	204	142	249	146	146	7	42	15	7	4	< 3.6	F06
PR5300 015G3N	15	30	-	269	161	204	142	249	146	146	7	42	15	7	4	< 3.6	F06
PR5300 018G3N	18.5	37	-	269	161	204	142	249	146	146	7	42	15	7	4	< 3.6	F06
PR5300 022G3N	22	45	-	269	161	204	142	249	146	146	7	42	15	7	4	< 3.6	F06
PR5300 030G3N	30	60	-	269	161	204	142	249	146	146	7	42	15	7	4	< 3.6	F06
PR5300 037G3N	37	75	-	269	161	204	142	249	146	146	7	42	15	7	4	< 3.6	F06
PR5300 045G3N	45	90	-	269	161	204	142	249	146	146	7	42	15	7	4	< 3.6	F06
PR5300 055G3N	55	110	-	269	161	204	142	249	146	146	7	42	15	7	4	< 3.6	F06



High quality motor soft starter

PR5200+^{series}

Product positioning:

PR5200+ series soft starter is the upgrade of PR5200 high quality motor soft starter. Application of advanced control software, integration of the latest motor protection theory and proprietary motor protection. The new microprocessor control and RS485 communication module are used to enhance the function and performance of the system, not only can guarantee the safe and reliable operation of the motor, but also can realize remote monitoring and operation. This product is a new generation of soft starter superior to star / triangle conversion, self coupling depressurization, magnetic controlled depressurization and other traditional motor starting equipment.



Products Features

- Communication function
- Perfect user-friendly design
- Reliable quality assurance

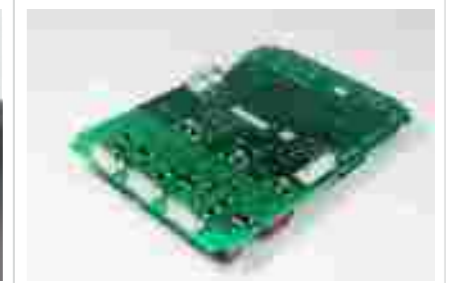
*Built-in RS485 communication module, to realize the combine network communication
 *Convenient for user to use remote debugging and control
 *The keyboard can be external connection, and used with cabinet



*Beautiful appearance and reasonable structure
 *Perfect function and simple operation
 *Reliable and compact design
 *Industrial products' excellent artistic design



*Adopting computer simulation design
 *SMT production process
 *Excellent electromagnetic compatibility
 *High-temperature aging, vibration test, before delivery



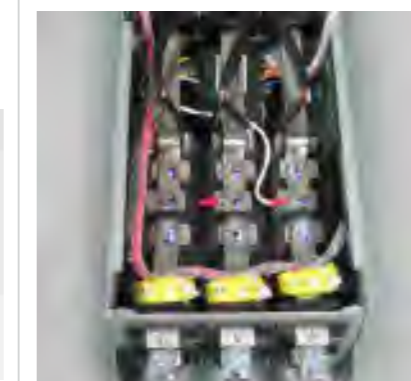
- Perfect and reliable protection function

*Losing voltage, under voltage, over voltage protection
 *Soft starter over-heating, motor under-load, long start time protection
 *Input phase loss, output phase loss, three-phase unbalance protection
 *Start over-current, running over-load, load short circuit protection



- Thyristor module

*Small size, light-weight, compact in size, high reliability, simple external wiring, good exchangeability, convenient to maintain and install, good structural repeatability, the configuration mechanical design can be simplified



- Cake type thyristor

*The thyristor has the characteristics of the silicon rectify device, it can work under the condition of high voltage and large current, and even can control when working. It is widely used in electronic circuits such as controlled rectifier, AC Voltage regulation, Non-contact electronic switch, inverter and variable frequency



G4N series

Model	Rated Power (kW)	Rated current (A)	Dimension (mm)					Installation (mm)					Copper bar (mm)			N.W. (kg)	Base No.
			L1	L	W	H1	H	a	b	b1	d	e	C	D	T		
PR5300 011G4N	11	23	-	269	161	204	142	249	146	146	7	42	15	7	4	<3.6	F06
PR5300 015G4N	15	30	-	269	161	204	142	249	146	146	7	42	15	7	4	<3.6	F06
PR5300 018G4N	18.5	37	-	269	161	204	142	249	146	146	7	42	15	7	4	<3.6	F06
PR5300 022G4N	22	45	-	269	161	204	142	249	146	146	7	42	15	7	4	<3.6	F06
PR5300 030G4N	30	60	-	269	161	204	142	249	146	146	7	42	15	7	4	<3.6	F06
PR5300 037G4N	37	75	-	269	161	204	142	249	146	146	7	42	15	7	4	<3.6	F06
PR5300 045G4N	45	90	-	269	161	204	142	249	146	146	7	42	15	7	4	<3.6	F06
PR5300 055G4N	55	110	-	269	161	204	142	249	146	146	7	42	15	7	4	<3.6	F06

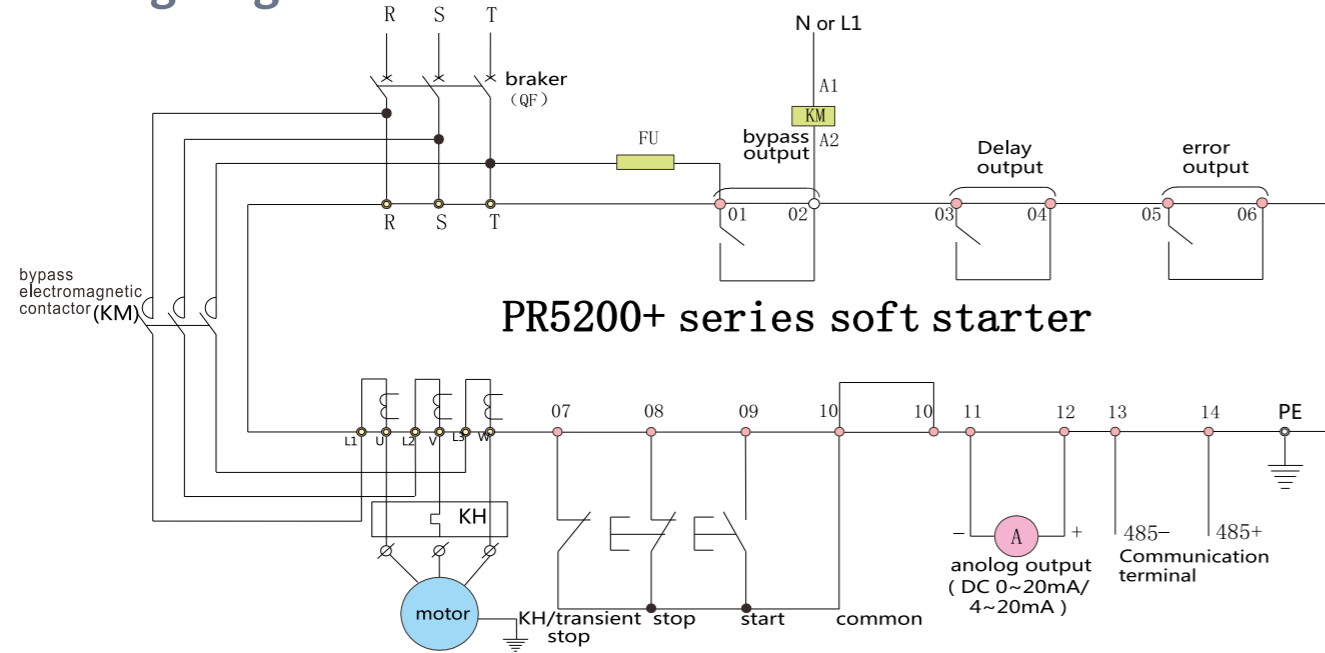
G3N series

Model	Rated Power (kW)	Rated current (A)	Dimension (mm)					Installation (mm)					Copper bar (mm)			N.W. (kg)	Base No.
			L1	L	W	H1	H	a	b	b1	d	e	C	D	T		
PR5300 075G3N	75	150	354	320	206	220	159	300	160	160	9	61	25	9	4	<10	F07
PR5300 090G3N	90	180	354	320	206	220	159	300	160	160	9	61	25	9	4	<10	F07
PR5300 115G3N	115	230	354	320	206	220	159	300	160	160	9	61	25	9	4	<10	F07

G4N series

Model	Rated Power (kW)	Rated current (A)	Dimension (mm)					Installation (mm)					Copper bar (mm)			N.W. (kg)	Base No.
			L1	L	W	H1	H	a	b	b1	d	e	C	D	T		
PR5300 075G4N	75	150	354	320	206	220	159	300	160	160	9	61	25	9	4	<10	F07
PR5300 090G4N	90	180	354	320	206	220	159	300	160	160	9	61	25	9	4	<10	F07
PR5300 115G4N	115	230	354	320	206	220	159	300	160	160	9	61	25	9	4	<10	F07

▶ Wiring diagram



▶ Working conditions

Mains power supply : self-provided power plant, diesel generating sets three-phase ac 380v±10%, 50hz or 60hz, the power supply capacity must meet with the requirements of soft starter on motor starting.

For motor: squirrel-cage three-phase asynchronous motor, the motor rated power should be matched with soft starter rated power .

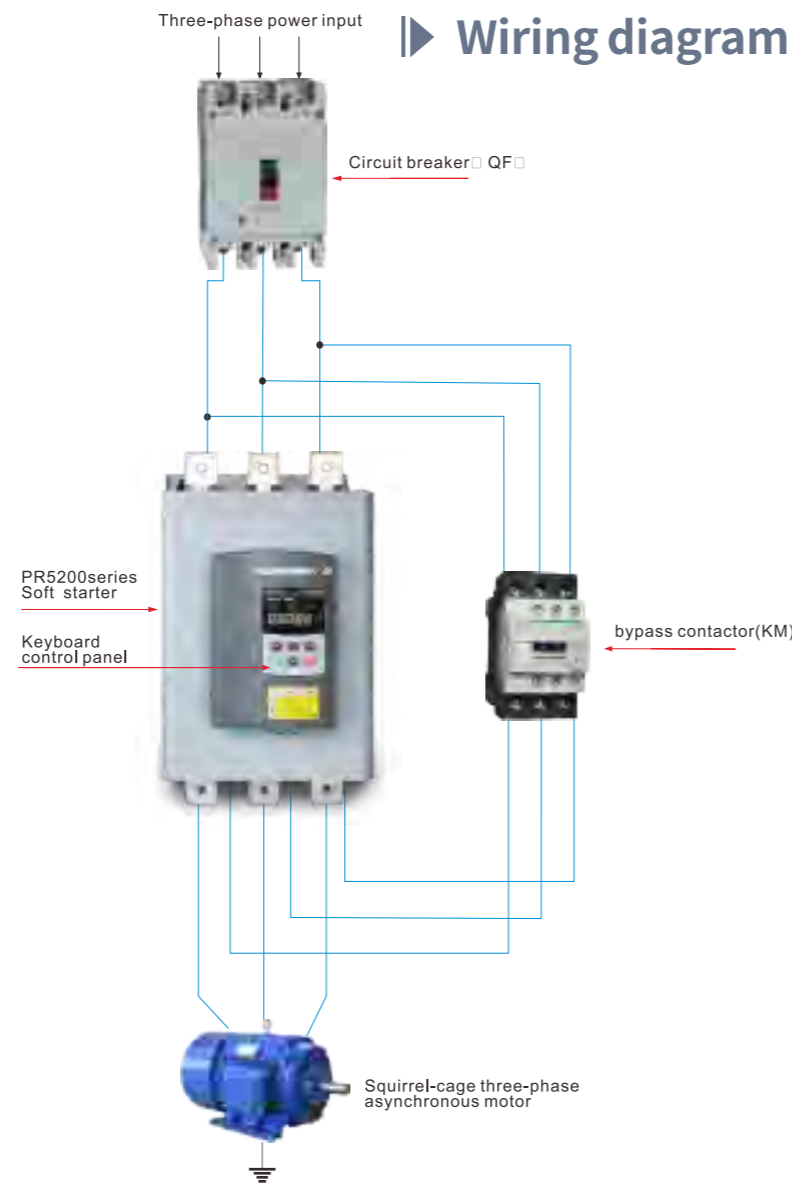
Starting frequency : ≤10 times/hour

Cooling: natural air cooling

Protection degree: IP20

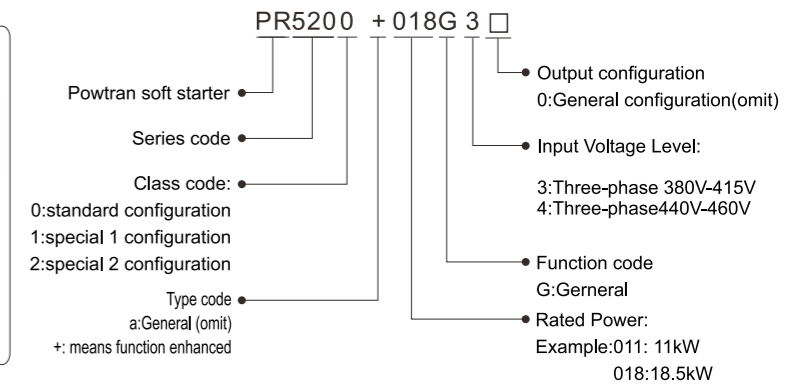
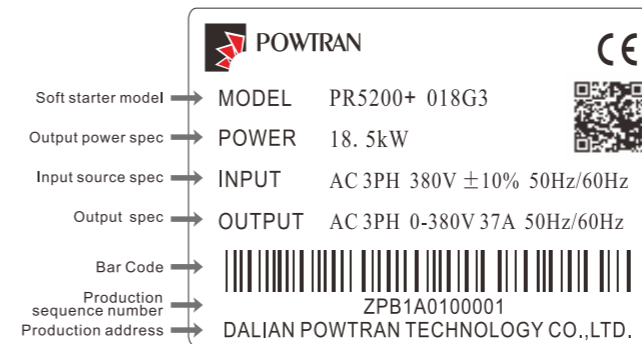
Environmental conditions:The environment temperature is from -25℃-40℃ when the altitude is under 3000m, the related humidity is under 90%RH, no condensation, no inflammable, explosive, corrosive gas, or conductive dust, good indoor ventilation , vibration less than 0.5G

★ **Note**: we can provide users with products which used under special conditions , such as explosion-proof soft starter, cryogenic soft starter, high voltage soft starter, etc. And the use condition is explained separately .

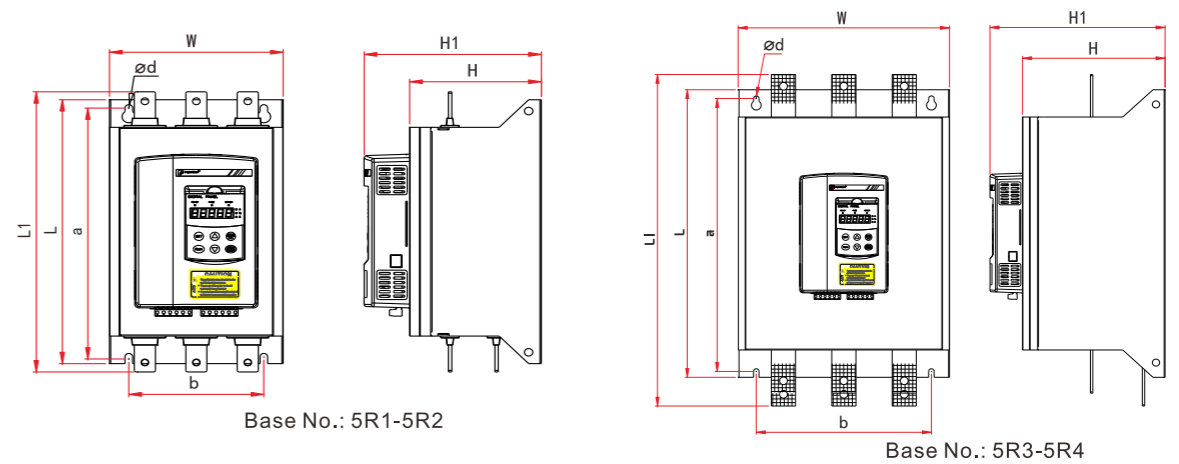


★ **Note**: Of the six output copper bars, the front three are connected to the motor and the rear three are connected to the bypass contactor

▶ Nameplate instruction



▶ Installation size



G2 series

Model	Rated Power (kW)	Rated current (A)	Dimension (mm)					Installation (mm)					Copper bar (mm)			N.W. (kg)	Base No.
			L1	L	W	H1	H	a	b	b1	d	e	C	D	T		
PR5200+ 7R5G2	7.5	30	303	288	146	159	105	270	115	115	ø8	42	15	8	3	<3.8	5R1
PR5200+ 011G2	11	45															
PR5200+ 015G2	15	60															
PR5200+ 018G2	18.5	75															
PR5200+ 022G2	22	90															
PR5200+ 030G2	30	110	372	350	206	210	156	330	160	160	ø9	61	25	9	4	<10.2	5R2
PR5200+ 037G2	37	150															
PR5200+ 045G2	45	180															
PR5200+ 055G2	55	230	529	480	280	264	210	450	230	230	ø9	90	40	13	4.5	<22.4	5R3
PR5200+ 075G2	75	260															
PR5200+ 090G2	90	320															
PR5200+ 115G2	115	370															
PR5200+ 132G2	132	420	558	505	326	256	202	476	260	260	ø10	103	40	13	5.5	<28.6	5R4
PR5200+ 160G2	160	560															
PR5200+ 185G2	185	600															
PR5200+ 200G2	200	660															

G3 series

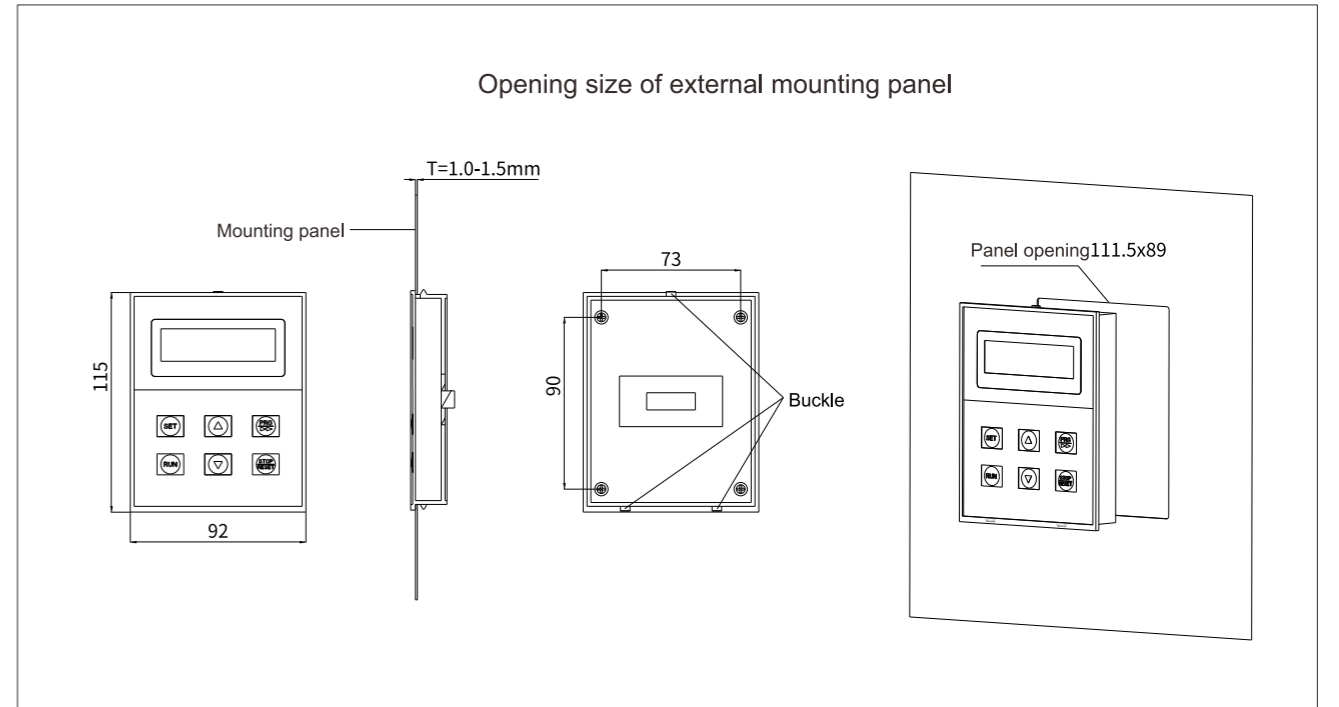
Model	Rated Power (kW)	Rated current (A)	Dimension (mm)					Installation (mm)				Copper bar (mm)			N.W. (kg)	Base No.	
			L1	L	W	H1	H	a	b	b1	d	e	C	D			T
PR5200+ 5R5G3	5.5	11	303	288	146	159	105	270	115	115	Ø8	42	15	8	3	<3.8	5R1
PR5200+ 7R5G3	7.5	15															
PR5200+ 011G3	11	23															
PR5200+ 015G3	15	30															
PR5200+ 018G3	18.5	37															
PR5200+ 022G3	22	45															
PR5200+ 030G3	30	60															
PR5200+ 037G3	37	75															
PR5200+ 045G3	45	90															
PR5200+ 055G3	55	110	372	350	206	210	156	330	160	160	Ø9	61	25	9	4	<10.2	5R2
PR5200+ 075G3	75	150															
PR5200+ 090G3	90	180															
PR5200+ 115G3	115	230	529	480	280	264	210	450	230	230	Ø9	90	40	13	4.5	<22.4	5R3
PR5200+ 132G3	132	260															
PR5200+ 160G3	160	320															
PR5200+ 185G3	185	370															
PR5200+ 200G3	200	400															
PR5200+ 250G3	250	500	558	505	326	256	202	476	260	260	Ø10	103	40	13	5.5	<28.6	5R4
PR5200+ 280G3	280	560															
PR5200+ 320G3	320	630															
PR5200+ 400G3	400	800															
PR5200+ 450G3	450	900															
PR5200+ 500G3	500	998															

G4 series

Model	Rated Power (kW)	Rated current (A)	Dimension (mm)					Installation (mm)				Copper bar (mm)			N.W. (kg)	Base No.	
			L1	L	W	H1	H	a	b	b1	d	e	C	D			T
Pr5200+ 5R5G4	5.5	11	303	288	146	159	105	270	115	115	Ø8	42	15	8	3	<3.8	5R1
PR5200+ 7R5G4	7.5	15															
PR5200+ 011G4	11	23															
PR5200+ 015G4	15	30															
PR5200+ 018G4	18.5	37															
PR5200+ 022G4	22	45															
PR5200+ 030G4	30	60															
PR5200+ 037G4	37	75															
PR5200+ 045G4	45	90															
PR5200+ 055G4	55	110	372	350	206	210	156	330	160	160	Ø9	61	25	9	4	<10.2	5R2
PR5200+ 075G4	75	150															
PR5200+ 090G4	90	180															
PR5200+ 115G4	115	230	529	480	280	264	210	450	230	230	Ø9	90	40	13	4.5	<22.4	5R3
PR5200+ 132G4	132	260															
PR5200+ 160G4	160	320															
PR5200+ 185G4	185	370															
PR5200+ 200G4	200	400															
PR5200+ 250G4	250	500	558	505	326	256	202	476	260	260	Ø10	103	40	13	5.5	<28.6	5R4
PR5200+ 280G4	280	560															
PR5200+ 320G4	320	630															
PR5200+ 400G4	400	800															
PR5200+ 450G4	450	900															
PR5200+ 500G4	500	998															

► Ordering instructions

When ordering and selecting models, users should inform the supplier of the product model, specification, load and use environment, so as to correctly use the universal technology products. If the user needs to operate the external control of the keyboard, please explain it when ordering so that we can provide you with the keyboard compartment for the installation of the external keyboard. The information of the keyboard compartment is as follows:



► Installation Requirements

Installation direction and distance: in order to ensure that the soft starter has good ventilation and heat dissipation conditions in use, the soft starter should be installed vertically, and there should be enough heat dissipation around the equipment. Space, as shown in the figure, when the soft starter is installed in the cabinet, in addition to the above requirements, the cabinet body with good upper and lower ventilation must also be selected.

